

FOR BOTH LAPAROSCOPIC AND OPEN BARIATRIC PROCEDURES, WE'VE GOT YOU COVERED.



The new HALYARD* Bariatric Drape, with oversized fenestration, is designed for a variety of procedure approaches. The increased overall width and length can accommodate larger patients with ease. And the anterior hook and loop line control and lateral line control flaps optimize patient access and minimize the risk of safety hazards that could be caused by line tangling or slippage.

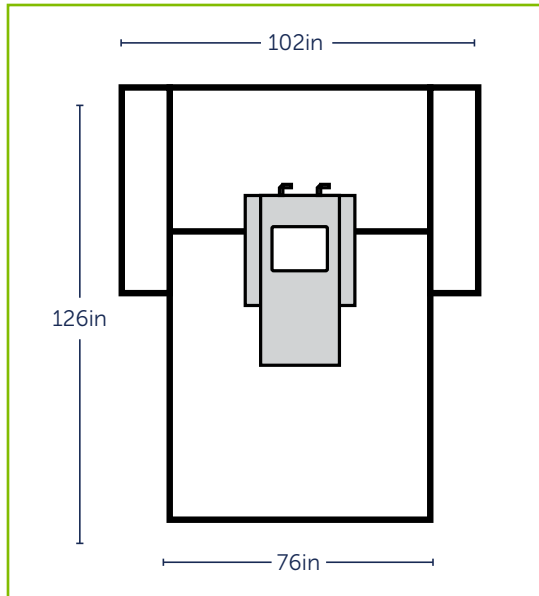
DESIGNED FOR SAFETY AND CONVENIENCE

HALYARD* Drapes are developed to give you and your patients one less worry, with:

- Maximum flame resistance rating for use around lasers and other electrical instruments
- Fabric that's resistant to tearing, strikethrough, and abrasion
- Provides secure attachment of lines and tubes
- Low-lint and abrasion-resistant fabric reinforcement, to help reduce the risk of wound contamination and related post-operative complications.

The choice is simple.

HALYARD* Bariatric Drapes are just one of the clinical solutions that you can depend on to meet the demands of your fast-paced world.



PRODUCT FEATURES

- Armboard covers, 60in x 13in
- Absorbent CONTROL* Plus fabric reinforcement, 32in x 32in
- Oversized fenestration, 13in x 16in
- Instrument pad, 17in x 23in
- Line control flaps, 4.5in depth

Code	Description	Packaging
89369	Bariatric Drape, 126in x 76in x 102in, Sterile	12 Items/Case
79369	Bariatric Drape, 126in x 76in x 102in, Non-Sterile, Handi-Bin	16 Items/Case

All codes in bold indicated a sterile product

For more information for clinicians and product code ordering information, please visit:

www.halyardhealth.com

Call 1-844-HALYARD (1-844-425-9273) in the United States and Canada.