

# CARDIOVASCULAR DRAPES

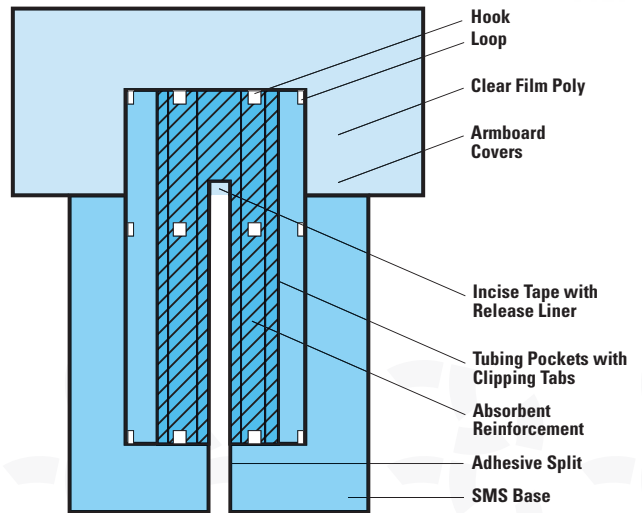
## DRAPES DESIGNED TO PROTECT YOU AND YOUR PATIENTS IN CARDIOVASCULAR SURGERY

Now you have more choice than ever with HALYARD\* CVArts\* Drapes that deliver performance, protection and convenience, with heavy-duty SMS fabric made to withstand the rigors of lengthy cardiac procedures.

### THE RIGHT DRAPE FOR EVERY PROCEDURE

As a recognized leader in the development of high-performance medical fabrics, Halyard holds over 650 patents for advanced nonwovens materials. HALYARD\* Surgical Drapes made with SMS and CONTROL\* Plus reinforcement fabric provide the critical balance of properties your demanding work requires.

- CONTROL\* Plus reinforcement fabric provides the highest rating for flame resistance<sup>1</sup> and resistance to laser ignition<sup>2</sup>
- Low-lint<sup>3</sup> and abrasion-resistant fabric<sup>4</sup>
- Fabric resistant to tearing<sup>5</sup> and strikethrough<sup>6</sup>
- Surgical Drapes with CONTROL\* Plus reinforcement fabric meets AAMI Level 4 liquid barrier performance test requirements<sup>6</sup>



# CARDIOVASCULAR DRAPES

5 Digit Code	Type	Description	Case Count
<b>29234</b>	Sterile	<b>CVARTS* Clearview Split Drape with Large Clear Anesthesia Screen and Pockets</b>	<b>5</b>
29226NS	Non-sterile	CVARTS* Clearview Split Drape with Large Clear Anesthesia Screen and Pockets	5

All codes in **bold** indicate a sterile product. Non-sterile product available for custom trays.



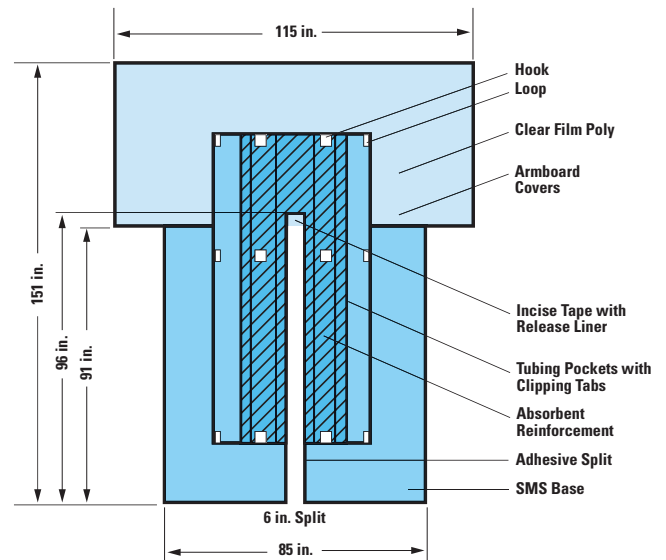
KNOWLEDGE NETWORK\* Accredited Education  
In-Service Training and Technical Support  
Credentialed Sales representatives  
Tools & Best Practices  
Clinical Research  
Commitment to Excellence

For more information, please visit:  
[www.halyardhealth.com](http://www.halyardhealth.com)

Call 1-844-HALYARD (1-844-425-9273)  
in the United States and Canada.



\*Registered Trademark or Trademark of Halyard Health, Inc.  
© 2015 HYH. All rights reserved. C15552



## CVARTS\* CLEARVIEW SPLIT DRAPE

The newest addition to our line of cardiovascular drapes features a large clear anesthesia screen to aid in patient monitoring, plus our CVArts\* heavy-duty fabric.

- Clear incise with release liner
- Clear poly anesthesia screen
- 6" x 91" adhesive split
- Absorbent CONTROL\* Plus fabric reinforcement
- Tubing pockets with hook-n-loop clipping tabs
- Armboard covers

## Ask about our new Equipment Covers!

- 1 Flammability Standard: 16FR 1610: 2003-Class 1
- 2 ISO 11810: 2005 Part One
- 3 Test method ISO 9073-10; Criteria <4.0 Log10 (lint count).
- 4 Test method ASTM D4970:2007 Criteria ≥ 3
- 5 Test Method DSS87-08:2008
- 6 Test method ASTM F1670: 2008